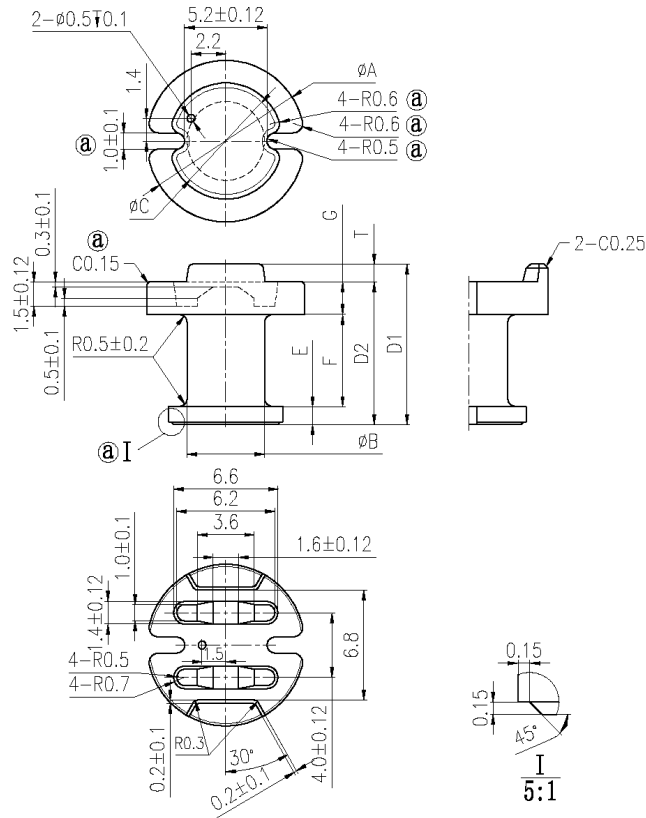


# I cores

INa10X4.9X9.9



CORE SETS

CORE DIMENSIONS (mm)

Dimensions (mm)									Weight (g)
$\Phi A$	$\Phi B$	$\Phi C$	D1	D2	E	F	G	T	
10.0 $\pm 0.2$	4.9 $\pm 0.15$	7.2 $\pm 0.2$	9.9 $\pm 0.2$	8.8 $\pm 0.2$	1.1 $\pm 0.1$	5.7 $\pm 0.15$	2.0 $\pm 0.12$	1.1 $\pm 0.1$	1.55

Characteristic

Grade	$L (\mu H)$	$L_{5.0A} (\mu H)$
		f=100kHz U=1.0V N=20Ts, $\Phi 0.5$ mm
DN50B	15.5 $\pm 20\%$	$\geq 90\% \times L_{0A}$