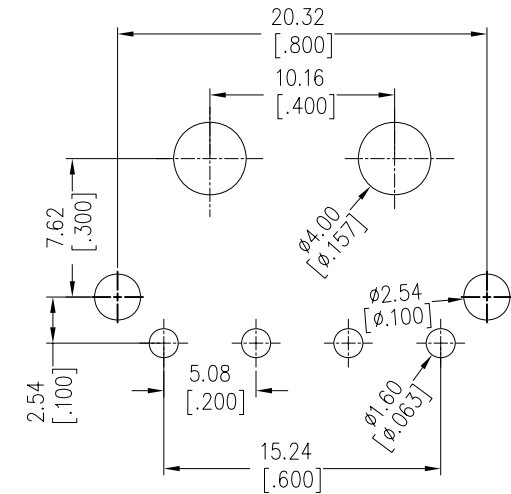
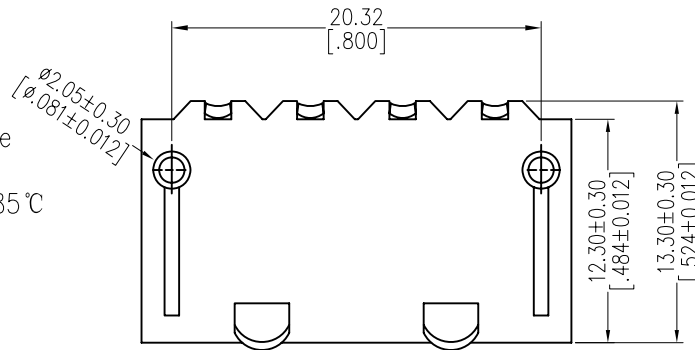


HSF

NOTES:
 Rated Current: 5.0A
 Contact Resistance: 10mΩ max
 Withstand Voltage: 1500V AC/Minute
 Insulation Resistance: 1000MΩ min
 Operation Temperature: -25°C to +85°C

Contact Material: Brass
 Contact plating: Au or Sn over Ni
 Insulator Material: PA66

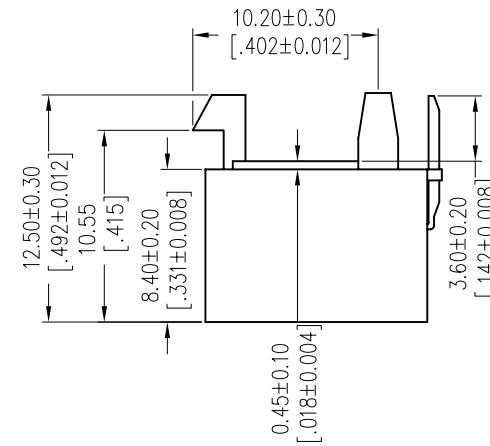
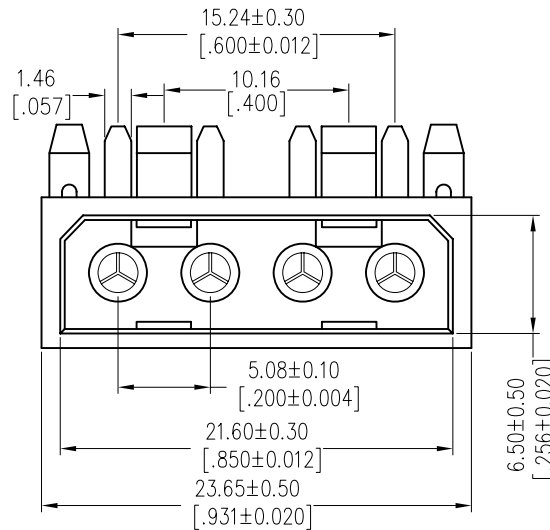
Recommended P.C.B Layout (Top Side)
 (PCB BOARD TOLERANCE ±0.05)



Ordering Information

WF5084 -WR 04 W 0 1

No. of pins: 04
 Contact Plating: S0=Gold Flash/Tin, S3=10u"Gold/Tin, S4=15u"Gold/Tin, S5=30u"Gold/Tin, G0=Gold Flash, G3=10u"Gold, G4=15u"Gold, G5=30u"Gold, Blank=Tin
 Color: B=Black, W=White
 Packing: 0=PE Bag, A=Tray



				OPERATION		DRAW JYHuang	DATE 2012/09/18	SCALE FIT	PART NO. WF5084-WR04W01	TITLE: 5.08 WAFER 1*4P 90° DIP
				X.X	±0.40					
				X.XX	±0.25	APPROVE	DATE	SIZE A4	Customer NO.	
AO	2012/09/18	NEW		X.XXX	±0.15					SHEET 1/1
REV	DATE	MODIFICATION DESCRIPTION	CHANGE	Angle DIM	± 3' TOL					