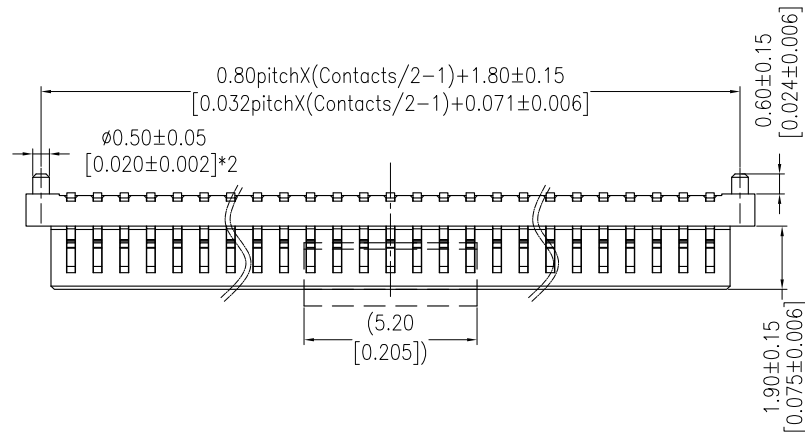


HSF

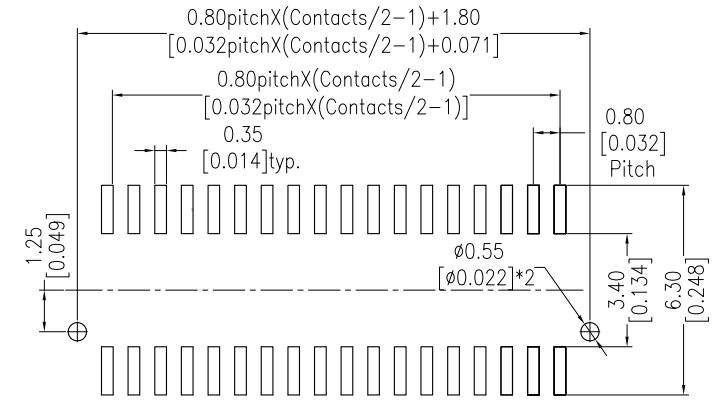
NOTES:

Current Rating:0.5A
 Voltage Rating:50V AC/DC
 Contact Resistance:50milliohm Max
 Insulation Resistance:100Megohm Min
 Operation Temperature:-20°Cto+105°C

Housing Material:PA9T(UL94V-0)
 Cap Material:LCP(UL94V-0)
 Contact Material:Phosphor Bronze
 Contact plating:Au or Sn over Ni



Recommended P.C.B Layout (Top Side)
 (PCB BOARD TOLERANCE ± 0.05)

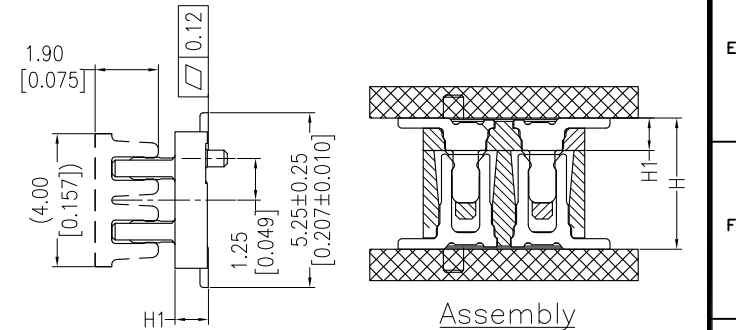
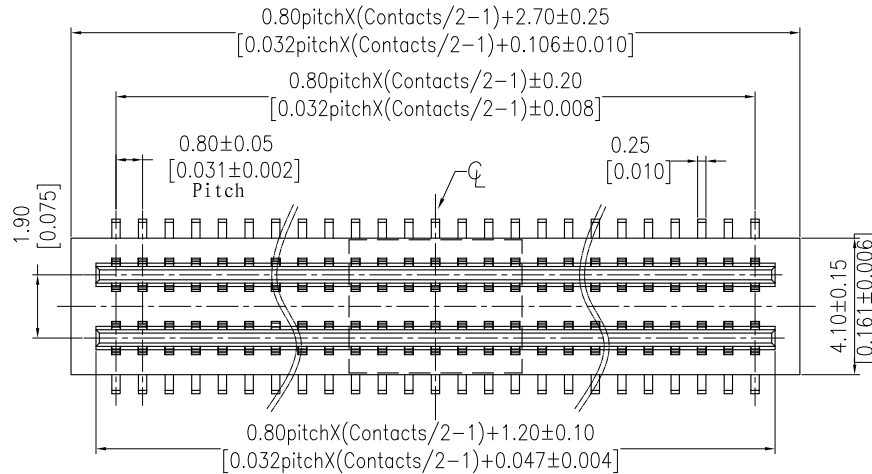


Ordering Information

3610-P XXX - XXX XX R 01

No.of Pins: 10P, 20P, 30P, 40P, 50P, 80P, 100P
 Housing High: G1=3u"Gold, G2=5u"Gold, S1=3u"Gold/Tin, S2=5u"Gold/Tin
 Contact Plating: G1=3u"Gold, G2=5u"Gold, S1=3u"Gold/Tin, S2=5u"Gold/Tin
 T=Tube, P=Tube+CAP, R=Tape&Reel+CAP

ASS'Y HIGH(H)	PLUG(H1)	SOCKET(H2)
4.00	1.00	3.00
4.50	1.50	3.00
5.00	2.00	3.00
5.50	1.50	4.00
6.00	2.00	4.00
6.50	2.00	4.50
7.00	3.00	4.00
7.50	3.00	4.50
8.00	4.00	4.00



REV	DATE	MODIFICATION DESCRIPTION	CHANGE	OPERATION		DRAW Tsingsn	DATE 2012/11/02	SCALE	FIT mm inch	PART NO. 3610-PXXX-XXXXXR01
				X.X	±0.40					
				X.XX	±0.25	CHECK	DATE	UNIT	A4	TITLE: 0.80mm B TO B MALE 180° SMT TYPE
				X.XXX	±0.15	APPROVE	DATE	SHEET	1/1	Customer NO.
				Angle	± 3'			PROJ.	⌀	