

# HSF

**NOTES:**

Current Rating: 2.0AMP  
 Contact Resistance: 20mΩ Max  
 Withstand Voltage: 500V AC/DC  
 Insulation Resistance: 1000MΩ Min  
 Operation Temperature: -40°C to +105°C

Contact Material: Phosphor Bronze  
 Contact plating: Au Or Sn over Ni  
 Insulator Material: LCP+30%G.F UL94V-0

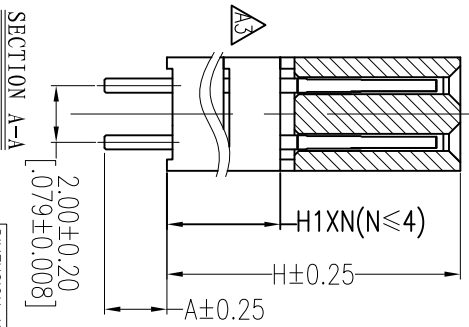
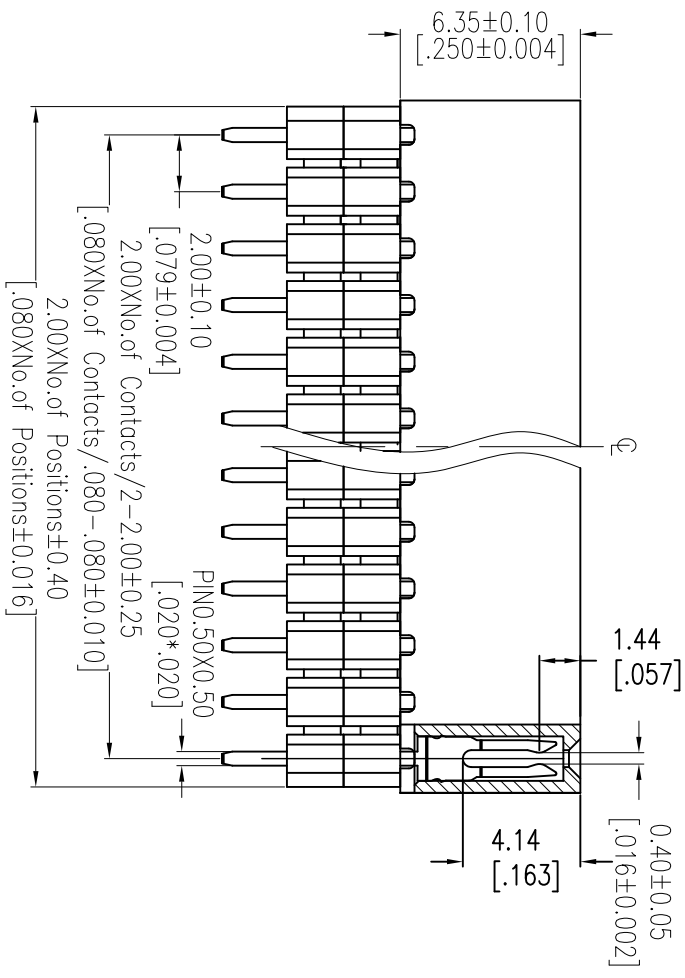
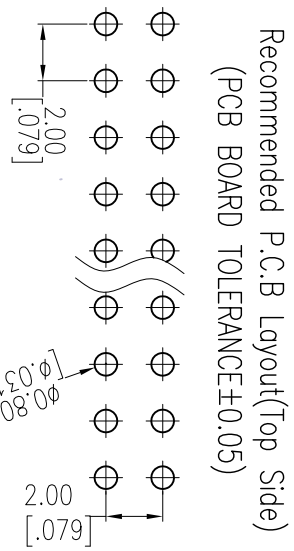
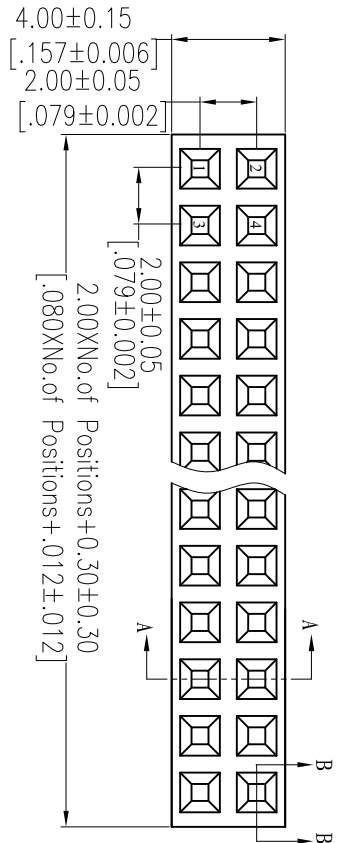


## Ordering Information

2263D - 2 XX S XX D Y N X X

No. of Pins per ROW: 02-40PIN  
 Contact Plating: G=Gold Flash, G3=10µ"Gold, G4=15µ"Gold, G5=30µ"Gold  
 Insulator: D=LCP, T=Tube  
 Packing: S0=Gold Flash/Tin, S3=10µ"Gold/Tin, S4=15µ"Gold/Tin, S5=30µ"Gold/Tin, SN=Tin, SM=Matte Tin

Item	Pitch	Mating
Standard	2.00	1215/1220
Alternate		



DIMENSION ANTIHESES LIST				
H1XN(N≤4)	A	H	H1	
STANDARD	3.28	8.35		
	2.28	9.35		
	3.80	7.85	1.50/	
	12.20	9.35		2.00
	2.28	19.30		
ALTERNATE	13.10	8.35		

A3	2016/02/26	Modify: All plastic concave addown	OPERATION	DRAW	DATE	SCALE	FIT	PART NO.
A2	2013/04/26	Modify drawing	X.X	Topg	2016/02/26	mm		2263D-2XXSXXDYNNXX
A1	2012/11/07	Modificait right table (Add high explain)	X.XX	CHECK	DATE	A4		TITLE: FH12.00mm DUAL ROW H=6.35 180° DIP ADD HOUSING
A0	2012/07/23	NEW	X.XXX	±0.15	DATE	1/1		Customer NO.
REV	DATE	MODIFICATION DESCRIPTION	ANGLE	APPROVE				
			DIM	TOL				
		CHANGE						