

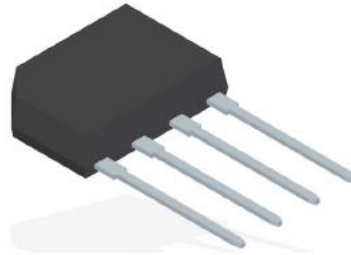
# KBP201 Thru KBP210

## Glass Passivated Molding Single-Phase Bridge Rectifier

Reverse Voltage 100 to 1000V Forward Current 2.0 A

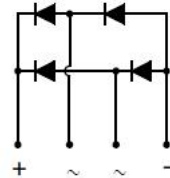
### FEATURES

- Rating to 1000V PRV
- Ideal for printed circuit board
- Reliable low cost construction utilizing molded plastic technique
- The plastic material has UL flammability classification 94V#0



### MECHANICAL DATA

- Polarity : As marked on body
- Weight : 0.05 ounces, 1.52 grams
- Mounting position : Any



## 1. Maximum & Thermal Characteristics Ratings at 25°C ambient temperature unless otherwise specified.

| Parameter Symbol  | Symbol           | KBP201  | KBP202 | KBP204 | KBP206 | KBP208 | KBP210 | Unit               |
|---|------------------|---------|--------|--------|--------|--------|--------|--------------------|
| Maximum repetitive voltage  | VRRM             | 100     | 200    | 400    | 600    | 800    | 1000   | V                  |
| Maximum RMS Voltage   | VRMS             | 70      | 140    | 280    | 420    | 560    | 700    | V                  |
| Maximum DC Blocking Voltage   | VDC              | 100     | 200    | 400    | 600    | 800    | 1000   | V                  |
| Maximum DC reverse current TA=25 °C   | IR               | 5       |        |        |        |        |        | μA                 |
| at rated DC blocking voltage TA=125°C   |                  | 500     |        |        |        |        |        |                    |
| Average rectified forward current Tc=100°C  | Io               | 2       |        |        |        |        |        | A                  |
| Peak forward surge current 8.3ms single half sine-wave superimposed on rated load | IFSM             | 55      |        |        |        |        |        | A                  |
| Rating of fusing (t<8.3ms)  | I <sup>2</sup> t | 17.5    |        |        |        |        |        | A <sup>2</sup> sec |
| Dielectric strength terminals to case, AC 1 minute Current 1mA                    | Vdia             | 2.5     |        |        |        |        |        | KV                 |
| Max instantaneous forward voltage at 2.0A   | VF               | 1.1     |        |        |        |        |        | V                  |
| Maximum thermal on P.C.B. without heat-sink(1)                                    | RθJA             | 40      |        |        |        |        |        | °C/W               |
| resistance per leg on Al plate heat-sink  | RθJC             | 10      |        |        |        |        |        |                    |
| Operating junction temperature  | TJ               | -55~150 |        |        |        |        |        | °C                 |
| Storage temperature   | Tstg             | -55~150 |        |        |        |        |        | °C                 |

Note:

Thermal Resistance Junction to Case,and Ambient.

# KBP201 Thru KBP210

## 2. Ratings and Characteristic Curves ( $T_A = 25^\circ\text{C}$ unless otherwise noted )

Fig. 1 Derating Curve

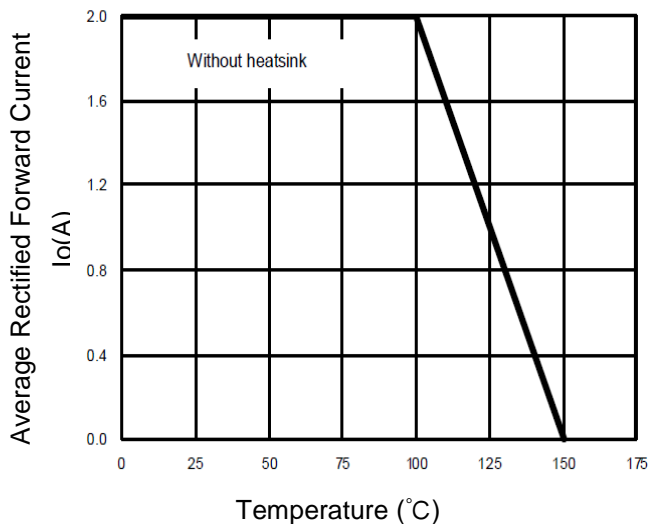


Fig.2 Typical Reverse Characteristics

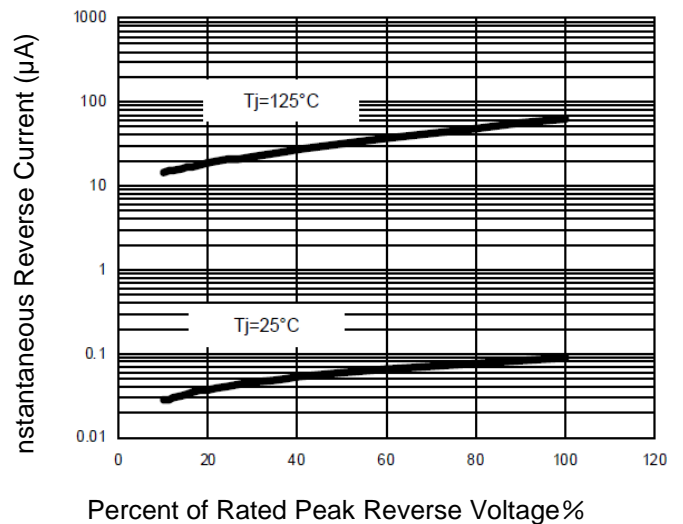


Fig.3 Forward Voltage

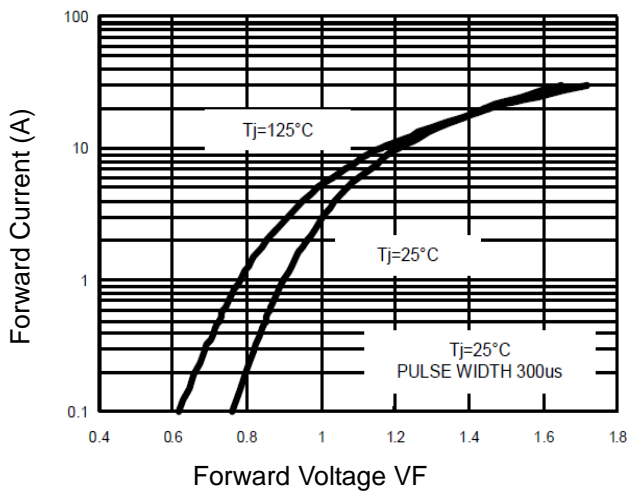
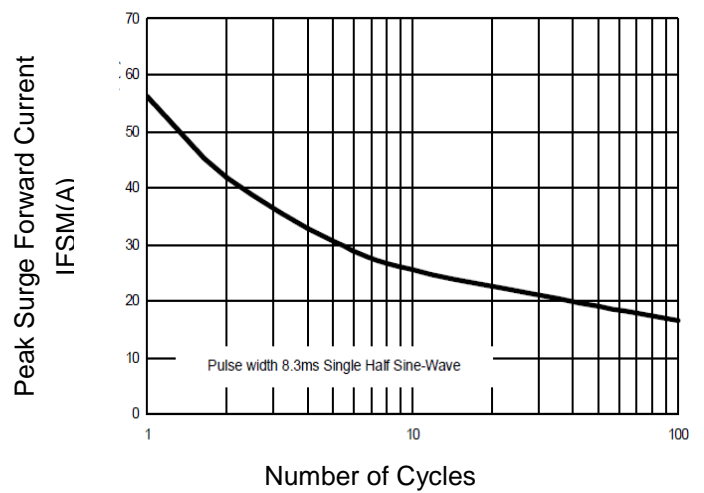
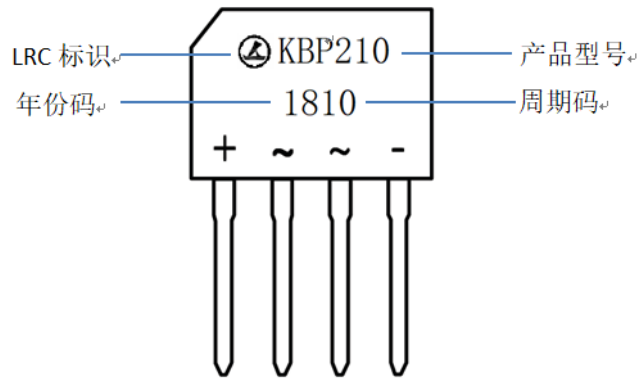


Fig.4 Peak Surge Forward Capability



# KBP201 Thru KBP210

## 3. Marking Identification



### Note:

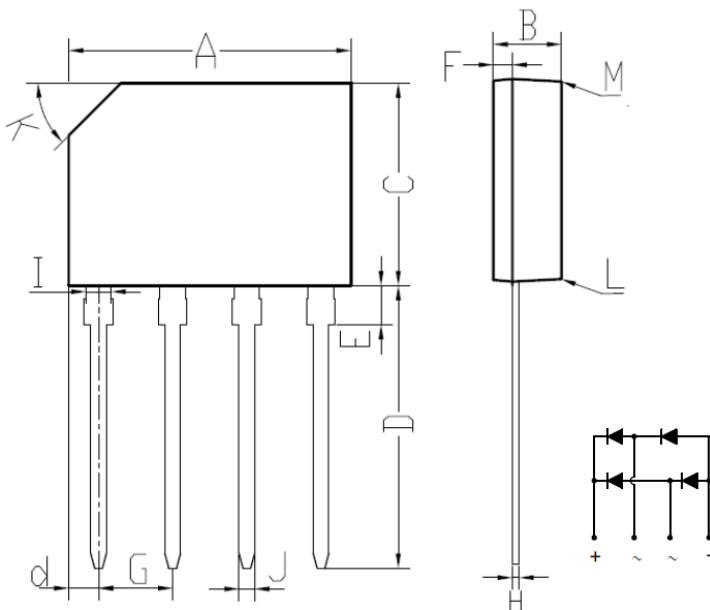
生产日期码包含4位数字，例如“1018”，前两个数字“18”表示为2018年，另外二个数字“10”是指第10周，即表示该产品为2018年10周生产。

型号：

KBP     2     10

→ bridge reverse voltage=1000V  
→ average rectified forward Current=2A  
→ mean: KBP series bridge

## 4. Dimension



| KBP                          |                 |       |
|------------------------------|-----------------|-------|
| DIM.                         | MIN.            | MAX.  |
| A                            | 14.25           | 14.75 |
| B                            | 3.35            | 3.65  |
| C                            | 10.20           | 10.60 |
| D                            | 14.25           | 14.73 |
| d                            | 1.40            | 1.70  |
| E                            | 1.80            | 2.20  |
| F                            | 0.80            | 1.10  |
| G                            | 3.56            | 4.06  |
| H                            | 0.35            | 0.55  |
| I                            | 1.22            | 1.42  |
| J                            | 0.76            | 0.86  |
| K                            | 2.7 x 45° (Typ) |       |
| L                            | #               | 3°    |
| M                            | #               | 2°    |
| All Dimensions in millimeter |                 |       |