

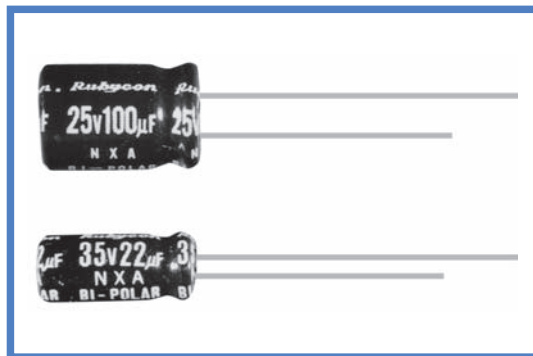
NXA 系列

SERIES

105℃双极性小型化标准品 105℃ Bi-polar Miniaturized

◆ 特 长 / FEATURES

- RoHS指令对应品。
RoHS compliance.



◆ 规格表 / SPECIFICATIONS

项 目 Items	特 性 Characteristics																						
工作温度范围 Category Temperature Range	-55~+105℃																						
额定电压范围 Rated Voltage Range	6.3~50V.DC																						
静电容量允许差 Capacitance Tolerance	±20% (20℃, 120Hz)																						
漏 电 流 Leakage Current (MAX)	<p>小于$I=0.03CV$和$3\mu A$中的较大值 (施加额定电压5分钟后) $I=0.03CV$ or $3\mu A$ whichever is greater. (After 5 minutes application of rated voltage)</p> <p>I=漏电流 (μA) C=额定静电容量 (μF) V=额定电压 (V) Leakage Current Rated Capacitance Rated Voltage</p>																						
损失角正切值 ($\tan \delta$) Dissipation Factor (MAX)	<table border="1"> <tr> <td>额定电压 (V) Rated Voltage</td> <td>6.3</td> <td>10</td> <td>16</td> <td>25</td> <td>35</td> <td>50</td> <td rowspan="2">(20℃, 120Hz)</td> </tr> <tr> <td>$\tan \delta$</td> <td>0.25</td> <td>0.25</td> <td>0.20</td> <td>0.20</td> <td>0.15</td> <td>0.15</td> </tr> </table>	额定电压 (V) Rated Voltage	6.3	10	16	25	35	50	(20℃, 120Hz)	$\tan \delta$	0.25	0.25	0.20	0.20	0.15	0.15							
额定电压 (V) Rated Voltage	6.3	10	16	25	35	50	(20℃, 120Hz)																
$\tan \delta$	0.25	0.25	0.20	0.20	0.15	0.15																	
耐 久 性 Endurance	<p>在105℃中, 每250小时将极性反转一次, 不超过额定电压的范围施加额定纹波电流, 连续加载1000小时后, 满足以下各项要求。 After applying rated voltage with rated ripple current for 1000hrs at 105℃, (The polarity shall be reversed every 250hrs.), the capacitors shall meet the following requirements.</p> <table border="1"> <tr> <td>静电容量变化率 Capacitance Change</td> <td>初期值的±25%以内 Within ±25% of the initial value.</td> </tr> <tr> <td>损失角正切值 Dissipation Factor</td> <td>规格值的200%以下 Not more than 200% of the specified value.</td> </tr> <tr> <td>漏 电 流 Leakage Current</td> <td>规格值以下 Not more than the specified value.</td> </tr> </table>	静电容量变化率 Capacitance Change	初期值的±25%以内 Within ±25% of the initial value.	损失角正切值 Dissipation Factor	规格值的200%以下 Not more than 200% of the specified value.	漏 电 流 Leakage Current	规格值以下 Not more than the specified value.																
静电容量变化率 Capacitance Change	初期值的±25%以内 Within ±25% of the initial value.																						
损失角正切值 Dissipation Factor	规格值的200%以下 Not more than 200% of the specified value.																						
漏 电 流 Leakage Current	规格值以下 Not more than the specified value.																						
低 温 特 性 Low Temperature Stability (阻抗比) Impedance Ratio (MAX)	<table border="1"> <tr> <td>额定电压 (V) Rated Voltage</td> <td>6.3</td> <td>10</td> <td>16</td> <td>25</td> <td>35</td> <td>50</td> <td rowspan="3">(120Hz)</td> </tr> <tr> <td>$Z(-25^\circ C)/Z(20^\circ C)$</td> <td>4</td> <td>3</td> <td>2</td> <td>2</td> <td>2</td> <td>2</td> </tr> <tr> <td>$Z(-40^\circ C)/Z(20^\circ C)$</td> <td>8</td> <td>6</td> <td>4</td> <td>4</td> <td>4</td> <td>4</td> </tr> </table>	额定电压 (V) Rated Voltage	6.3	10	16	25	35	50	(120Hz)	$Z(-25^\circ C)/Z(20^\circ C)$	4	3	2	2	2	2	$Z(-40^\circ C)/Z(20^\circ C)$	8	6	4	4	4	4
额定电压 (V) Rated Voltage	6.3	10	16	25	35	50	(120Hz)																
$Z(-25^\circ C)/Z(20^\circ C)$	4	3	2	2	2	2																	
$Z(-40^\circ C)/Z(20^\circ C)$	8	6	4	4	4	4																	

◆ 纹波电流修正系数 / MULTIPLIER FOR RIPPLE CURRENT

频率系数 Frequency coefficient

频率 (Hz) Frequency	60 (50)	120	500	1k	10k≤
0.47~1 μF	0.50	1.00	1.20	1.30	1.50
2.2~4.7 μF	0.65	1.00	1.20	1.30	1.50
10~47 μF	0.80	1.00	1.20	1.30	1.50
100~1000 μF	0.80	1.00	1.10	1.15	1.20

◆ 副记号 / OPTION

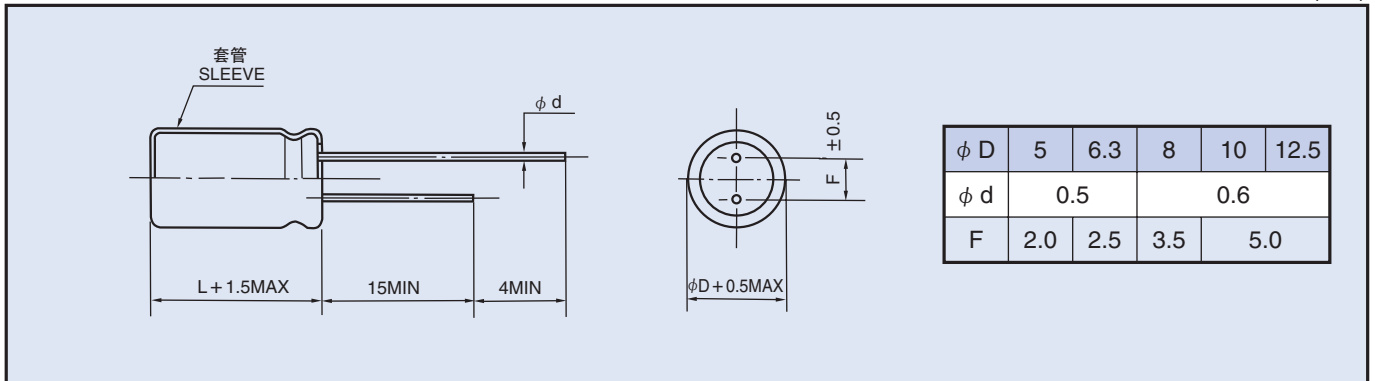
副记号	记号 Code
PET套管 PET Sleeve	EFC

◆ 产品型号体系 / PART NUMBER

□□□	NXA	□□□□□	□	□□□	□□	D×L
额定电压 Rated Voltage	系列名称 Series	额定静电容量 Rated Capacitance	静电容量允许差 Capacitance Tolerance	副记号 Option	引线加工记号 Lead Forming	铝壳尺寸 Case Size

◆尺寸图 / DIMENSIONS

(mm)



◆标准品一览表 / STANDARD SIZE

Size $\phi D \times L$ (mm), Ripple Current (mA r.m.s./105°C, 120Hz)

额定电压 WV (V.DC)	6.3 (0J)		10 (1A)		16 (1C)		25 (1E)	
	Size	Ripple	Size	Ripple	Size	Ripple	Size	Ripple
33							5 × 11	49
47					5 × 11	54	6.3 × 11	68
100	5 × 11	63	6.3 × 11	68	6.3 × 11	84	8 × 11.5	111
220	6.3 × 11	68	8 × 11.5	135	8 × 11.5	137	10 × 12.5	182
330	8 × 11.5	135	8 × 11.5	147	10 × 12.5	202	10 × 16	247
470	8 × 11.5	161	10 × 12.5	212	10 × 16	262	10 × 20	333
1000	10 × 16	297	10 × 20	378	12.5 × 20	472		

额定电压 WV (V.DC)	35 (1V)		50 (1H)	
	Size	Ripple	Size	Ripple
0.47			5 × 11	7
1			5 × 11	12
2.2			5 × 11	14
3.3			5 × 11	19
4.7			5 × 11	23
10			5 × 11	30
22	5 × 11	44	6.3 × 11	44
33	6.3 × 11	56	6.3 × 11	56
47	6.3 × 11	68	8 × 11.5	78
100	10 × 12.5	142	10 × 16	149
220	10 × 20	256	12.5 × 20	277
330	12.5 × 20	343	12.5 × 25	364
470	12.5 × 25	402		